

The Protea

Elizabeth Bowers Zambia Education Fund

Vol.V No.2

An education scholarship program for Zambian girls and women

September 2010

Light and Literacy Come to Lumwana West

YOU did it! Thanks to your generous support and encouragement, the Elizabeth Bowers Memorial Library is currently the primary source of solar power in the village of Lumwana West. It is now the "Light on the Hill," encouraging literacy for the entire NW Province in Zambia and for all who use this extraordinary facility. Four 17-inch HP laptop computers were



Beth's Girls' First Computer

hand-carried to the Library and are already being used by the village to full capacity. While it is cost-prohibitive right now to connect the computers to the internet, the excellent educational programs we took with us are keeping village users busy with new discoveries.

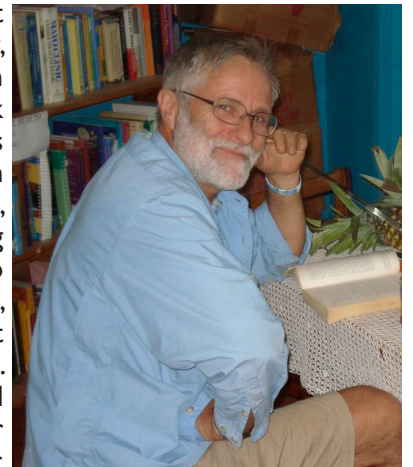
Recently retired engineer Rob Rowlands from New Zealand designed an original DC solar system tailored to fit EBZEF's needs and budget. Working with professionals from Davis & Shirtliff, an international



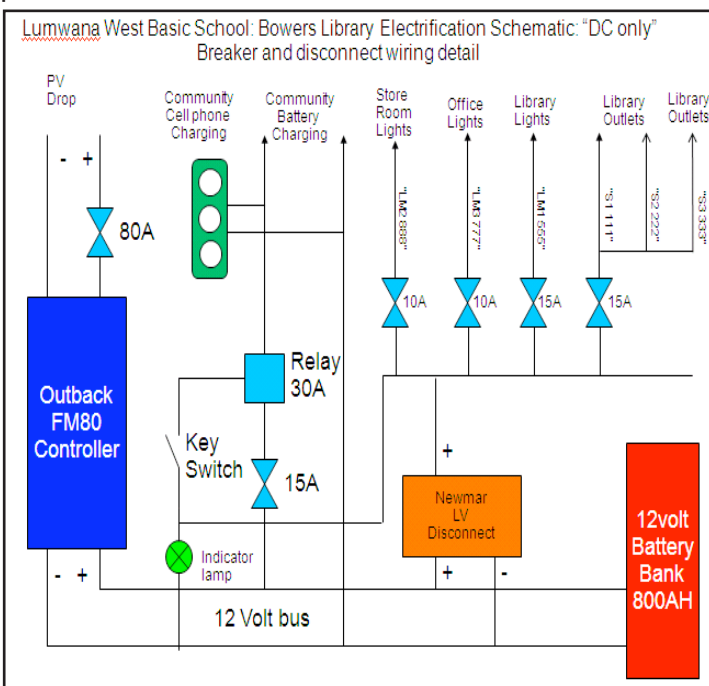
Solar Panels Bring Light to Lumwana West

company with a branch in Kitwe, plus a team of village men eager to help install and maintain the system, Rob educated everyone on fail safe aspects of the system. With 20 years experience building solar-powered schools and clinics in Nepal, Rob brought a wealth of experience to EBZEF's project to insure its success.

The strength of the library collection, the largest and most complete in the province, is drawing people from far distances to conduct scholarly and professional research. Since it is not yet a lending library, being able to work in the library after dark significantly increases its availability. As soon as the lights came on, Beth's Girls began using the evening hours to do their schoolwork, even though August is a vacation month. Rob also conducted computer classes for the Lumwana West Basic School teachers while his 16-year-old granddaughter, Kaitlin Allerton, taught classes for Beth's Girls, expanding research resources.



Technology Wizard Rob



Original DC Solar Design for Memorial Library

**Doris Kangulu,
Memorial Library
Caretaker**



**Little Beth in
her new dress**

**Children dancing at the
Celebration of Light**

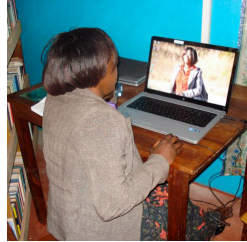


Children reading in library



Chicken House

**Charcoal
for
cooking**



**Librarian Sandra uses
her new computer**

Where's Linda?



Gerry displays the solar panels

Light and Literacy Project Appreciation



Village Headman Thanks EBZEF

THANK YOU for making the completion of the EBZEF Memorial Library project possible. Special thanks to Beth's aunt and uncle, Michal and David Wert, for the \$5,000 Challenge Grant which spurred fundraising for the solar electric system. We are extremely grateful to our faithful donors who

met the generous challenge.

Supporting technology grants from Michele Goodman and the Goodman Family Foundation in Portland as well as from Justin and Janelle Lancaster from National Solar in Seattle made our project possible. All of you have opened a new world of literacy and exploration for a responsive and responsible village community halfway around the world.

Thanks to Ashok and Laurie Sharma whose generous contribution for educational computer programs helped purchase a wide range of resources. These life-changing programs include "Microsoft Office Home and Student," "Encyclopedia Britannica Ultimate," "Mavis Beacon Teaches Typing," education programs and games from ages 15 months to 18 years, "Resource Mate Library Data Base Program," and more. Paul Fraser's Appropriate Technology

for Undeveloped Countries program is highly sought after by Peace Corps for use with its volunteers.

Madam Malama, the Provincial Education Officer from Solwezi said, "You do not know what you have done! You are helping the Zambian Ministry of Education in ways it cannot help itself." Dorothy Maseka, the District Education Board Secretary from Mwinilunga, insisted, "You have opened up people to the wider world." The village headman, speaking at the Celebration of Light in Lumwana West, stated, "When people speak of us in the future, they will call us the literate village."

5th Annual Zambia Night

Join us Friday, October 22nd from 5:30-9:00 P. M. at the Clockworks Café & Cultural Center, 241 Commercial Street NE, Salem, to help EBZEF celebrate the completion of the "Light and Literacy for Lumwana West" project.

Mark Powers' African Drummers and the Artemis Tribal Belly Dance Troupe will perform. Enjoy the "Baskets for Beth" silent auction, the Zambian Market with quality crafts for holiday shopping, the South Salem High School Beth's Girls Club booth, the Children's Corner, EBZEF program displays, food, a No Host Bar with Eola Hills wines, and other exciting activities.



Yes! I want to support Beth's Girls in Grades 8-12 and Beyond.

I have enclosed a donation of \$ _____ to help create a new future for deserving young women from Lumwana West, Zambia.

Name _____

Address _____

Email _____



Elizabeth Bowers Zambia Education Fund

PO Box 294

Salem, OR 97308-0294

www.bethsgirls.org

503-585-4605

September 2010

EBZEF is a 501 (c) (3) non-profit corporation. All contributions are fully tax-deductible.

Special Presentations: "Light and Literacy: EBZEF's Life-Changing Success" and the "Education of Beth's Girls: Grades 8-12 & Beyond."